



Passion from the universe

Set-up Sheet Scorpio

TEAM EDITION

Driver : _____
 Date : _____
 Track-Temp _____ Air -Temp _____
 Event : _____
 Track : _____
 Country/City/State : _____

Track Conditions

Indoor Tight medium Smooth Hard Packed Grass Astro-turf Clay Low Bite High Bite

Outdoor Open _____ Rough Blue Groove Carpet Multi-Surface Asphalt Road Med Bite _____

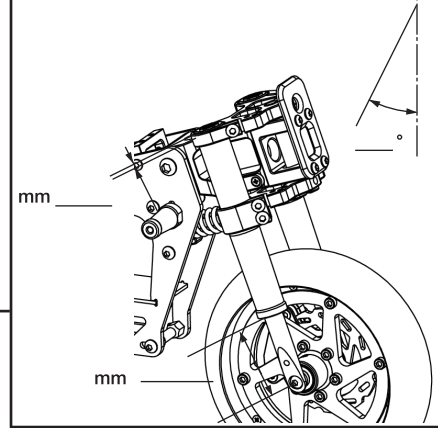
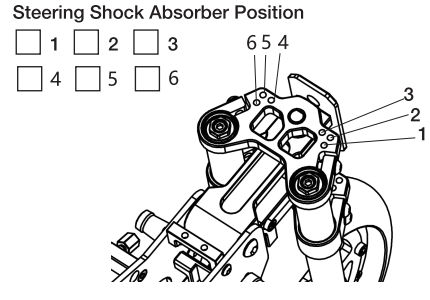
Gear Ratio

Front

Spur Gear Teeth _____

Pinion Teeth _____

Final Drive Ratio _____



Electronics

Battery

Brand _____ Capacity _____

Motor

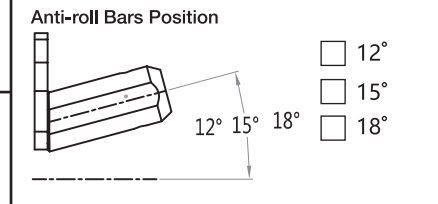
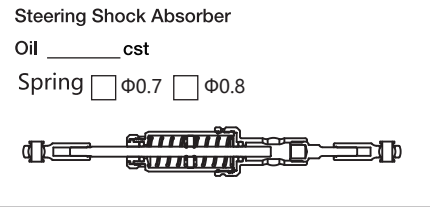
Brand _____ Type _____ Timing _____

ESC

Brand _____ Type _____

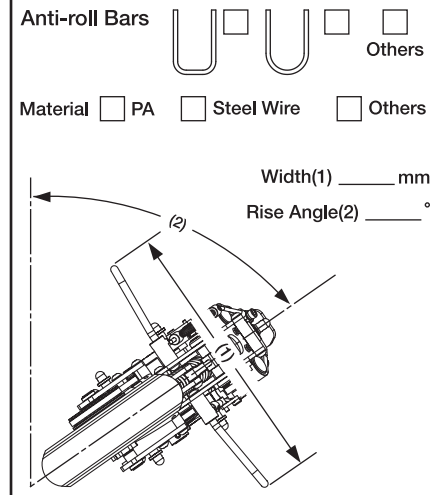
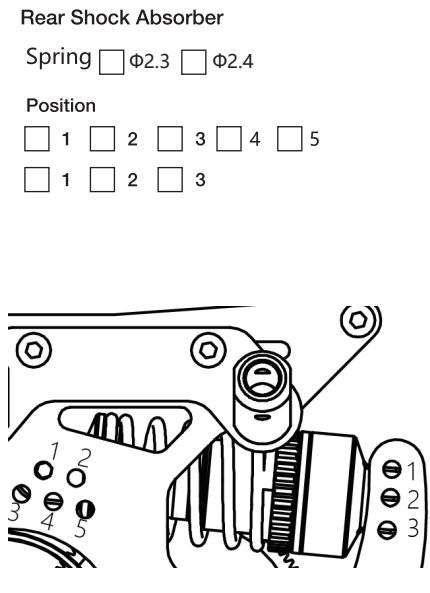
Servo

Brand _____ Type _____



Shock Absorbers

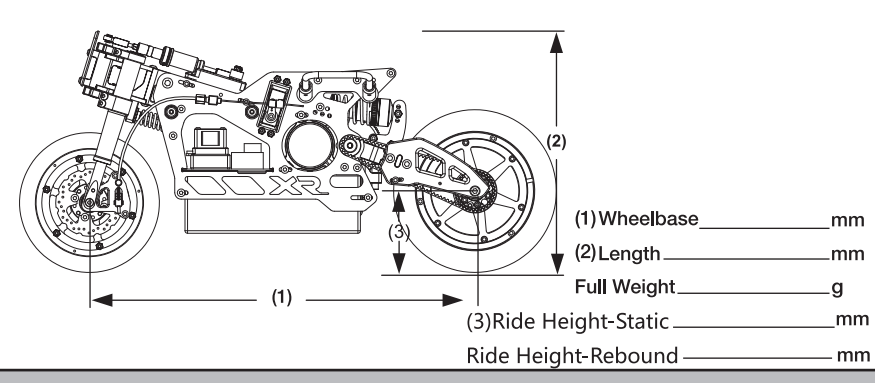
	Front	Rear
Oil (3)	cst	cst
Spring	mm	mm
Length (1)	mm	mm
Rebound (2)	mm	mm
Spring Bucket	<input type="checkbox"/> Short <input type="checkbox"/> Long	<input type="checkbox"/> Short <input type="checkbox"/> Long
Pistons	N° of Holes _____ Diamater _____ mm	mm



Tires

Front	Rear
GRP M3	GRP M3
GRP M5	GRP M5
GRP R1	GRP R1
GRP R3	GRP R3
RINGS	RINGS
OTHERS	OTHERS

Tire Warmer _____



Remarks
